

EasyFit® SPK

Universal Replacement Swimming Pool Pump



Features

- The EasyFit pump series saves you time & money while making your life simpler. The pump allows a user to replace most major brands of pump without the need to re-plumb.
- This high performance pump comes complete with our unique mechanical shaft seal that allows the pump, if mistreated, to run dry for up to one hour.
- The pump can be used for pool water with a salt concentration of up to 5000 ppm.
- Pump parts are made of 100% recyclable plastic. Non-corrosive, chemical/UV resistant, and can withstand temperatures of up to 175° F.
- Fittings & Risers to accommodate the following models (Hayward®, Pentair®, American Products®, and STA-RITE®).
- The EasyFit is available with the following motors:
 - Single or Two-Speed (0.75 to 3.5 HP)
 - Variable Speed (1.65, 2.4 & 3.45 THP)
- Suction and discharge are equipped with quick disconnect unions for easy installation and maintenance.
- For pool users' safety, the impeller has a dielectric shaft sleeve that provides absolute separation between pool water and electric parts.
- Lock ring that incorporates handles. These handles provide the user with a convenient way to easily remove the lid.
- Two year warranty on the motor and all pump parts, including normal wear of the mechanical seal.
- Every pump is performance tested before leaving the Speck factory.



EasyFit SPK



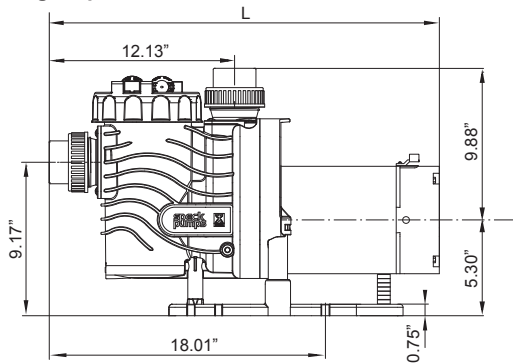
Select EasyFit models are ENERGY STAR certified

Applications

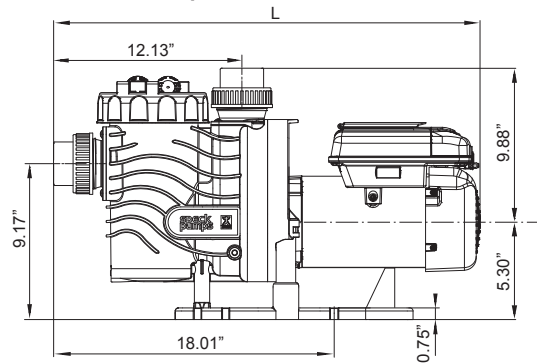
- In-ground pools (small to medium)
- Residential pools

Dimensional Drawing

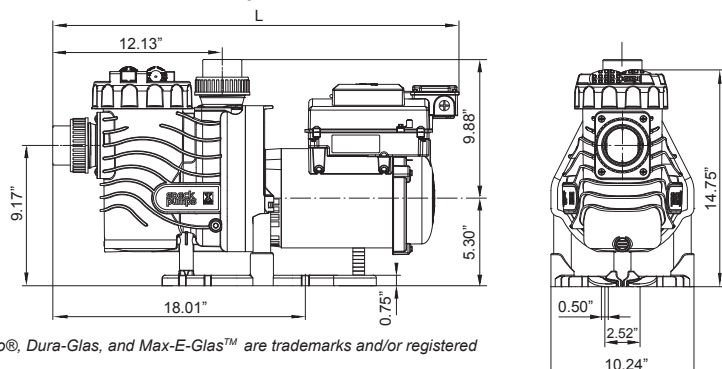
Single Speed Motor



1.65 THP Variable Speed Motor



2.4 & 3.45 THP Variable Speed Motor



MODEL	DIMENSION "L"	SHIPPING WEIGHT
EasyFit-I	25.27"	28 lbs.
EasyFit-II	25.77"	30 lbs.
EasyFit-III	25.77"	33 lbs.
EasyFit-III (1.65 THP)	26.25"	42 lbs.
EasyFit-IV	27.02"	48 lbs.
EasyFit-V	27.02"	53 lbs.
EasyFit-V (2.4 THP)	28.00"	57 lbs.
EasyFit-VI	27.52"	59 lbs.
EasyFit-VI (3.45 THP)	28.00"	59 lbs.

Hayward® and Super Pump® are registered trademarks of Hayward Industries, Inc. Pentair®, SuperFlo®, WhisperFlo®, IntelliFlo®, Ultra-Flow®, Sta-Rite®, Dyna-Glas™, Dyna-Pro®, Dura-Glas, and Max-E-Glas™ are trademarks and/or registered trademarks of Pentair Water Pool and Spa, Inc. and/or its affiliated companies.

8125 BAYBERRY ROAD, JACKSONVILLE, FLORIDA 32256 USA PHONE 904-739-2626 FAX 904-737-5261
WEBSITE: WWW.USA.SPECK-PUMPS.COM